

US00D996352S

(12) **United States Design Patent**
Zhao

(10) **Patent No.:** **US D996,352 S**

(45) **Date of Patent:** **** Aug. 22, 2023**

(54) **SOLAR POWER CELL**

(71) Applicant: **HongChun Zhao**, ShenZhen (CN)

(72) Inventor: **HongChun Zhao**, ShenZhen (CN)

(**) Term: **15 Years**

(21) Appl. No.: **29/816,317**

(22) Filed: **Nov. 20, 2021**

(51) **LOC (14) CL.** **13-02**

(52) **U.S. CL.**
USPC **D13/102**

(58) **Field of Classification Search**

USPC D13/102, 101, 103, 110, 118, 133, 182,
D13/184, 199; D26/63, 67, 68, 69, 71,
D26/72, 78, 85, 87
CPC Y02E 10/40; Y02E 10/44; Y02E 10/50;
Y02E 10/52; Y02E 10/542; Y02E 10/544;
E04H 4/08; F24J 2/38; F24J 2/0472; F24J
2/542; H01L 31/00; H01L 31/042; H01L
31/045; H01L 31/048; H01L 31/049;
H01L 31/052; H01L 31/184; H01L
31/0232; H01L 31/0508; H01L 31/0512;
H01L 31/0543; H01L 31/02013; H01L
31/1876; H01L 51/0061; H02S 40/34

See application file for complete search history.

(56) **References Cited**

U.S. PATENT DOCUMENTS

D311.722 S * 10/1990 Cheng D13/102
D391.921 S * 3/1998 Zimmer D13/102
D397.470 S * 8/1998 Bassford D10/104.1

D686,979 S * 7/2013 Chilton D13/102
D689,817 S * 9/2013 Sun D13/102
D701,165 S * 3/2014 Andresen D13/102
D748,573 S * 2/2016 Becker D13/102
D920,899 S * 6/2021 Weng D13/102

* cited by examiner

Primary Examiner Derrick E. Holland
(74) *Attorney, Agent, or Firm* iPA & iPM

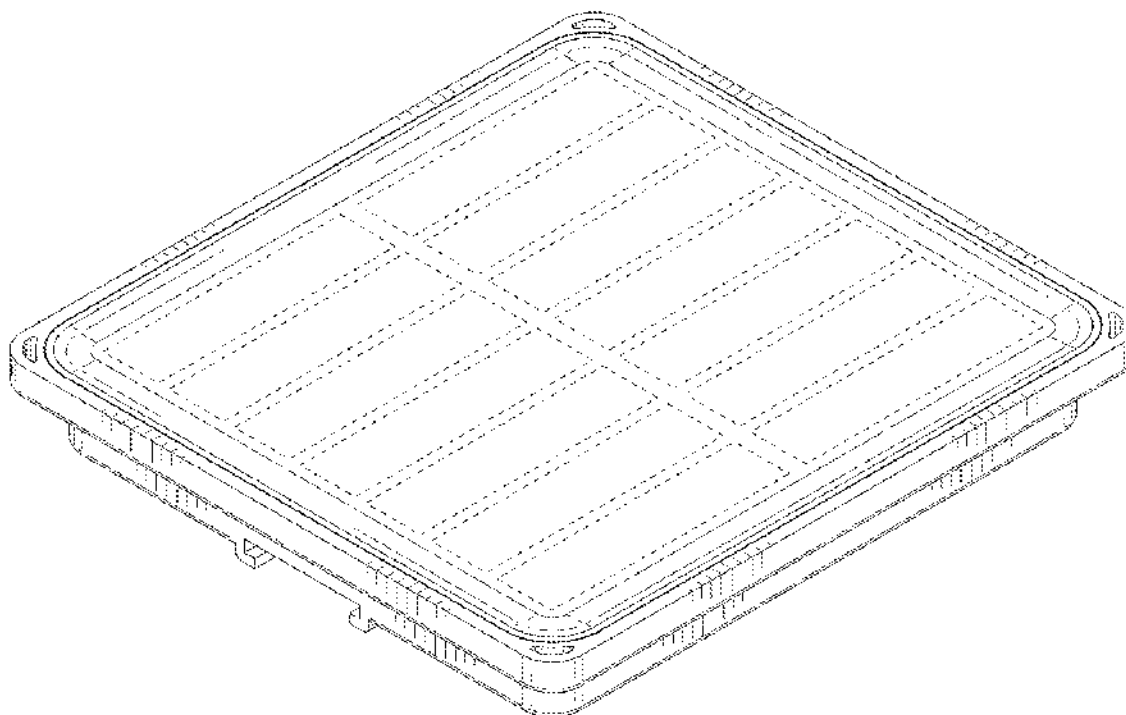
(57) **CLAIM**

The ornamental design for a solar power cell, as shown and described.

DESCRIPTION

FIG. 1 is a perspective view of a solar power cell showing my new design;
FIG. 2 is a perspective view of the solar power cell from below;
FIG. 3 is a top view thereof;
FIG. 4 is a bottom view thereof;
FIG. 5 is a right side view thereof;
FIG. 6 is a left side view thereof;
FIG. 7 is a front view thereof;
FIG. 8 is a back view thereof;
FIG. 9 is a perspective view of the solar power cell shown in a first environmental use;
FIG. 10 is a perspective view of the solar power cell shown in a second environmental use; and
FIG. 11 is a perspective view from below thereof.
Broken lines are used to illustrate portion of the solar power cell or environmental subject matter that form no part of the claimed design.

1 Claim, 11 Drawing Sheets



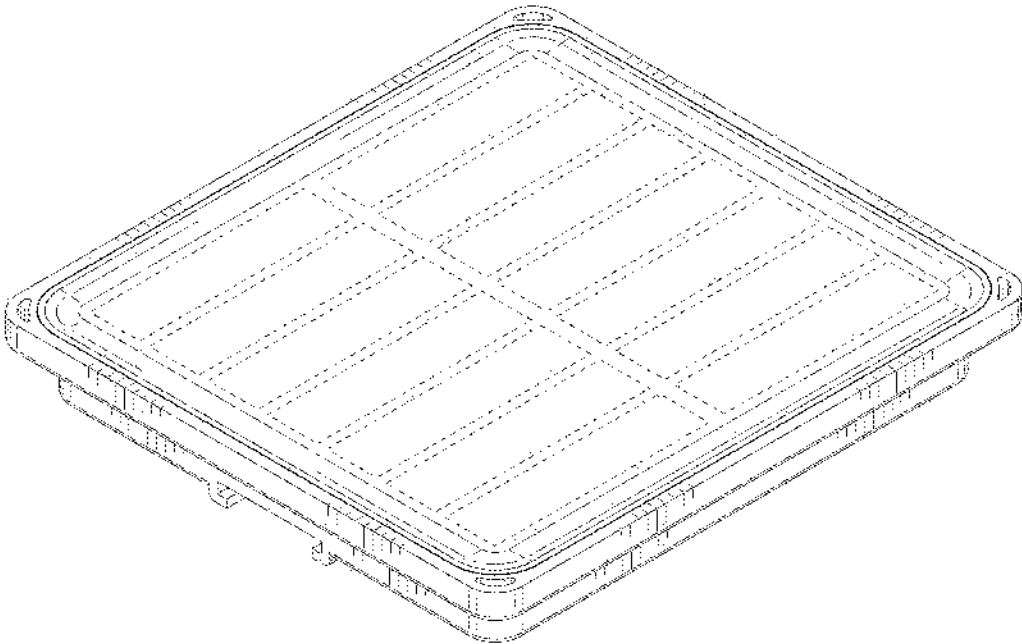


FIG. 1

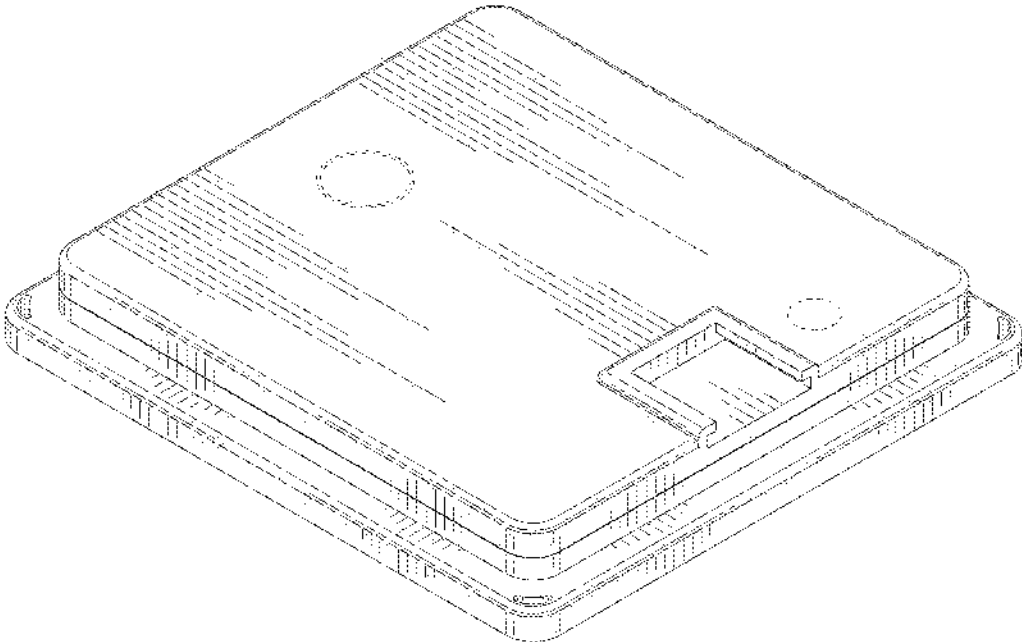


FIG. 2

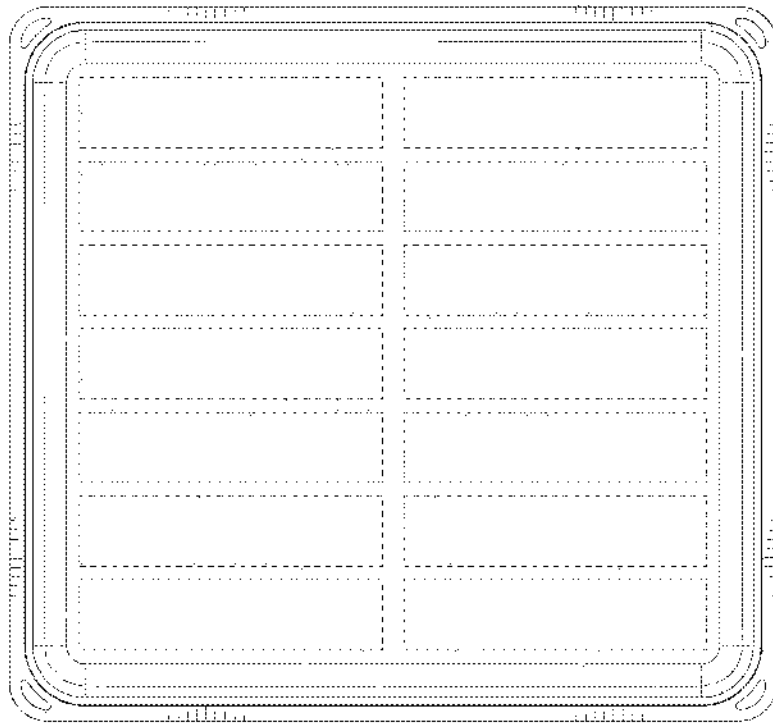


FIG. 3

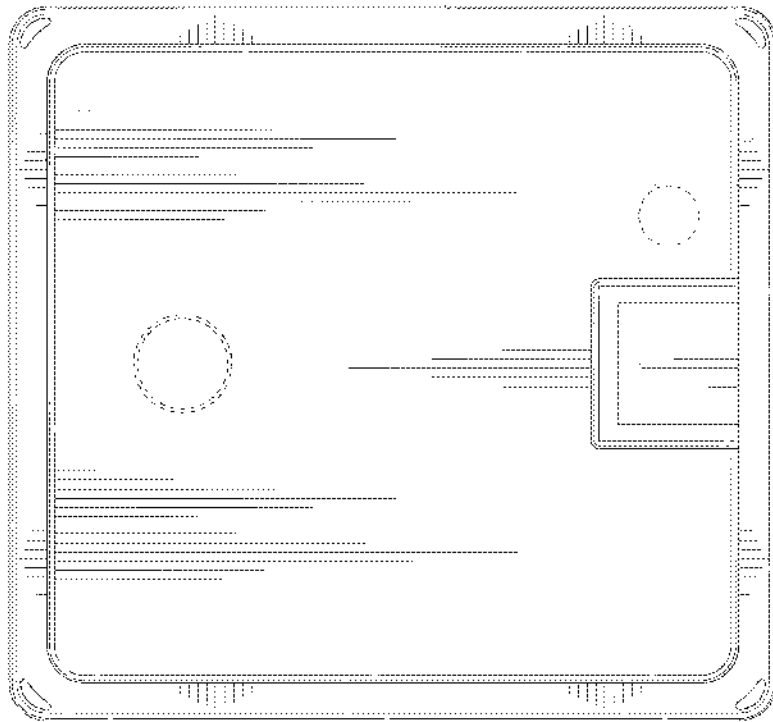


FIG. 4

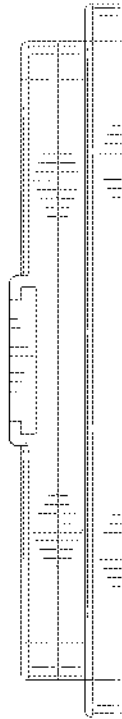


FIG. 5

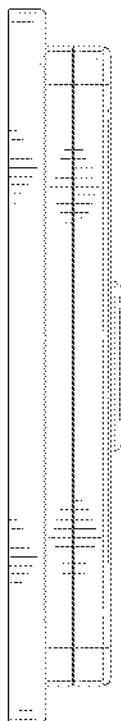


FIG. 6

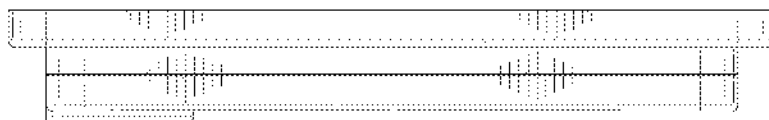


FIG. 7

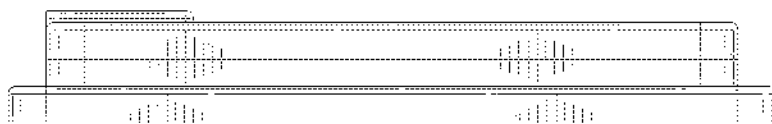


FIG. 8

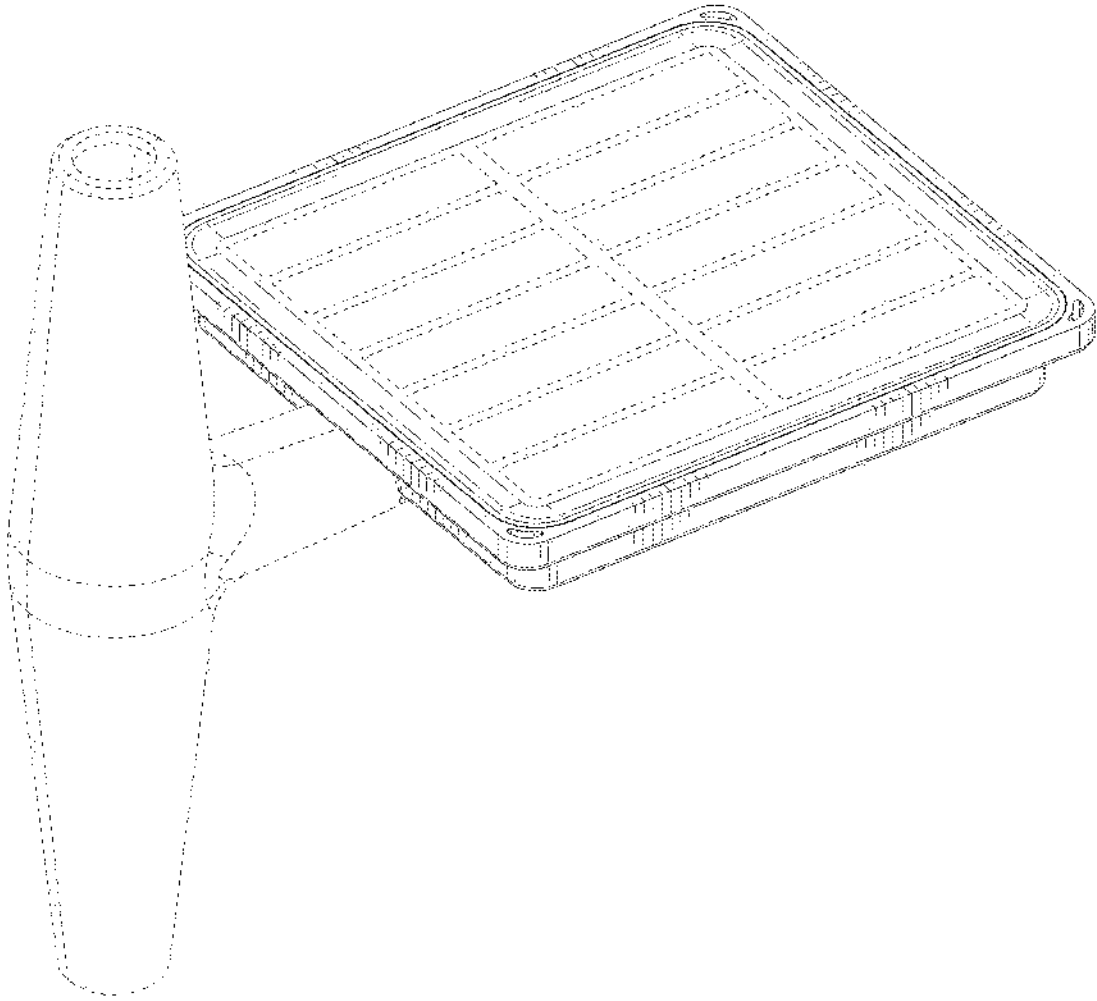


FIG. 9

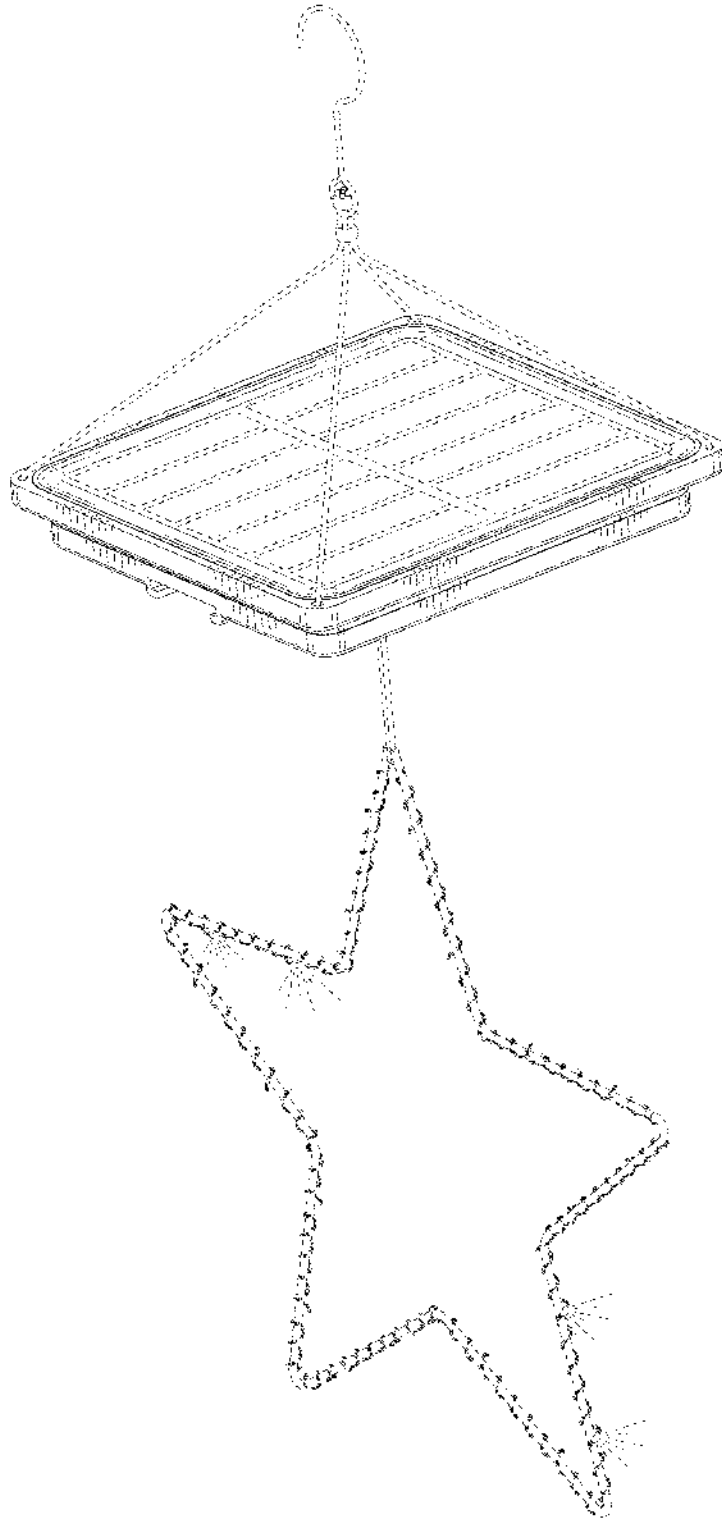


FIG.10

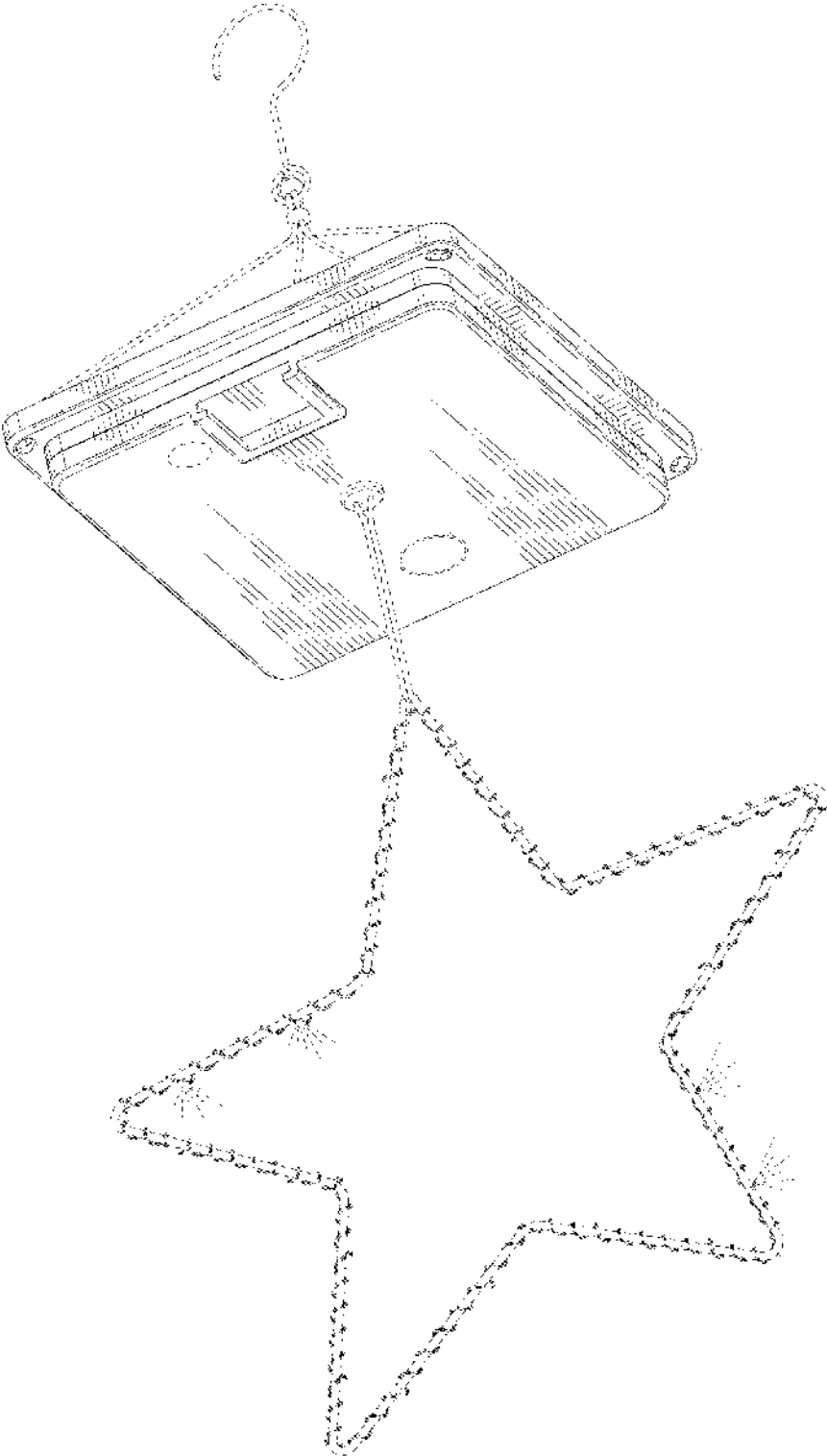


FIG.11